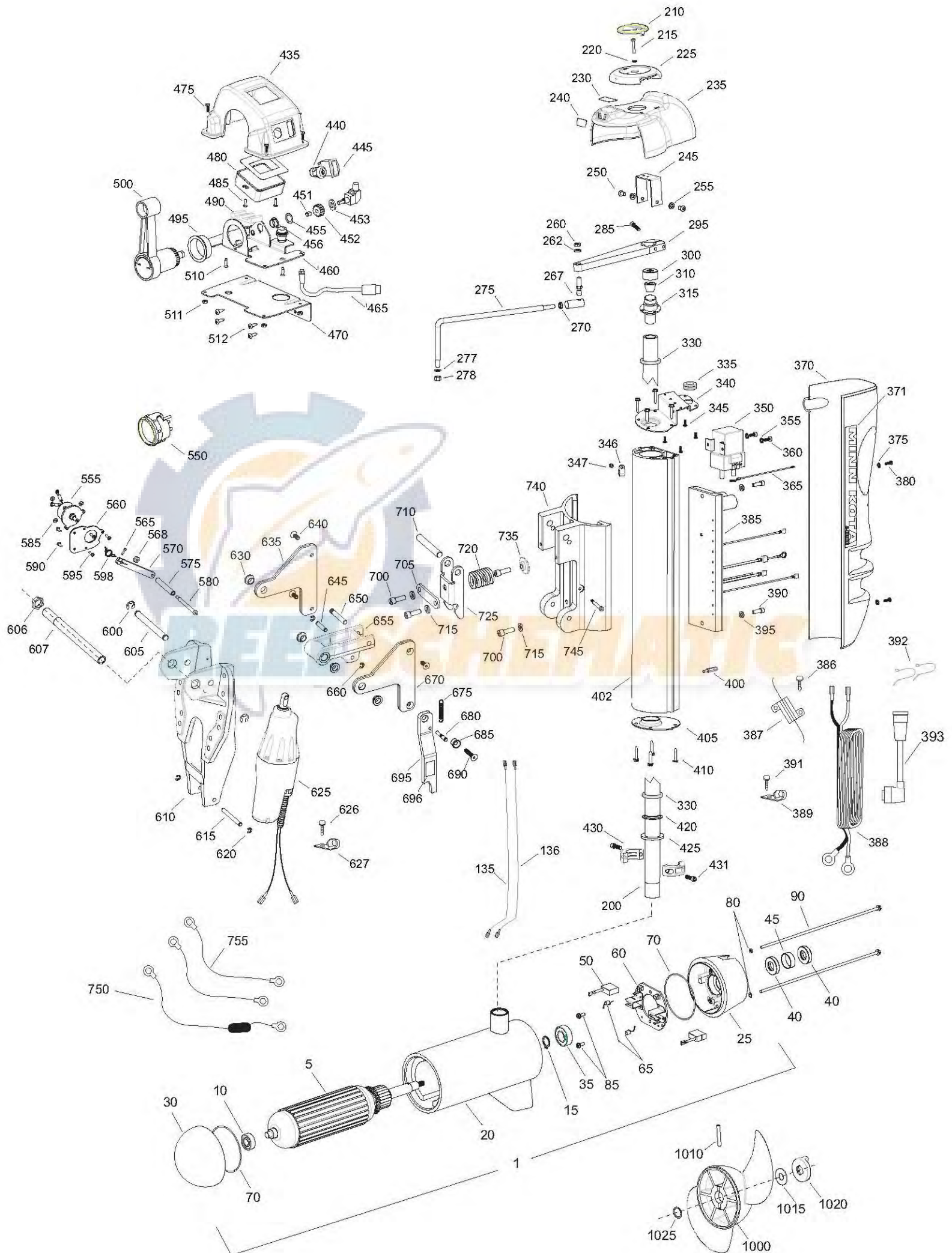


E-Drive Remote Steer

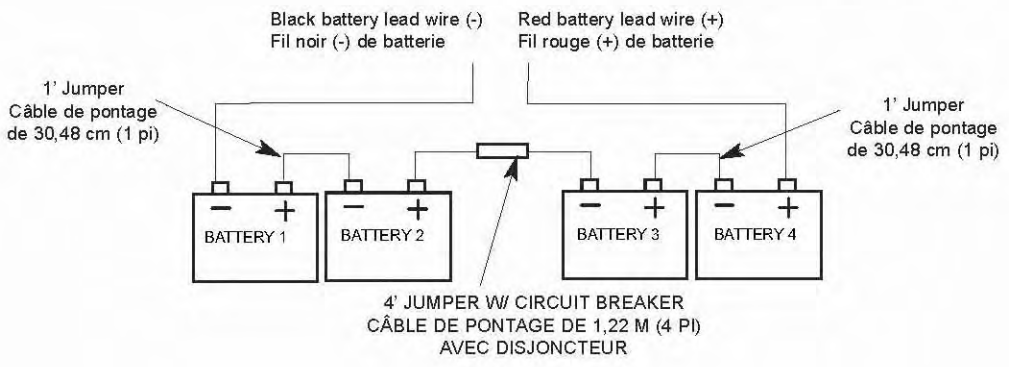
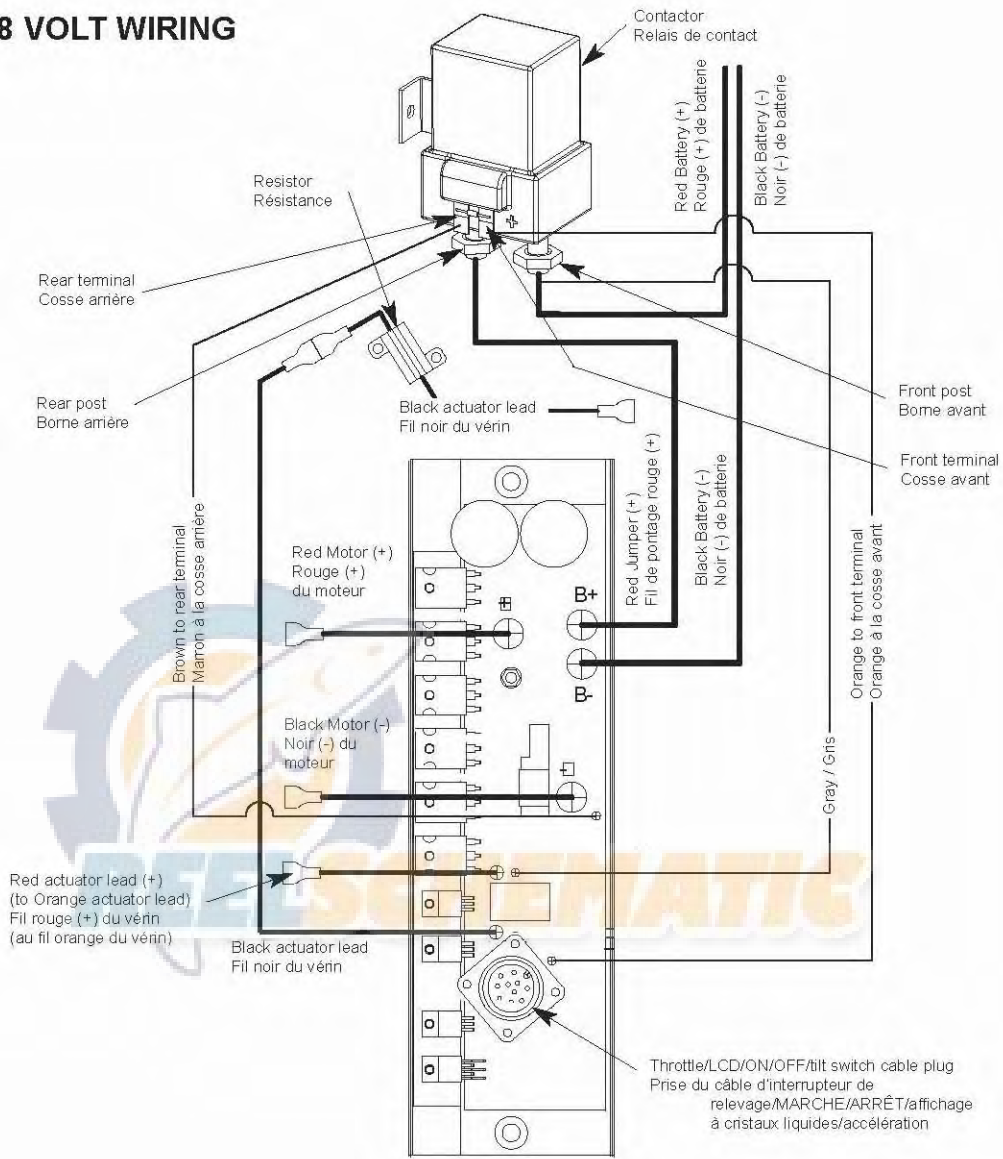
for use with 2008 models with serial numbers less than MKAI4018040

2-year warranty from the date of purchase



Item	P/N	Description	Qty	Item	P/N	Description	Qty	Item	P/N	Description	Qty	Item	P/N	Description	Qty
1	2357000	Motor Assembly	1	360	2223454	Screw, 10-32 x 1/2	2	570	2044221	Tilt sender arm	1				
5	2-100-210	Armature assembly	1	365	2040600	Wire, connecting 10 ga red	1	575	2042005	Roller tube	1	■	2994882	Mounting bag kit (3/8 hardware)	1
10	140-011	Bearing, plain end	1	370	2050220	Shield, extrusion, vantage	2	580	2043500	Shoulder bolt	1				
15	788-075	Retaining ring	1	371	2045611	Decal, shield, E-drive	1	585	2043112	Nut, #6	3				
20	2-200-210	Center housing assembly	1	375	2371715	Lockwasher, #8	2	590	2053415	Screw #8	2				
25	2-300-210	Brush end housing assembly	1	380	2332101	Screw, 8-32 x 1/2	2	595	2043400	Screw #6	3				
30	421-310	Plain end housing assembly	1	385	2044006	Control Board, E-drive	1	598	2042711	Torsion spring	1				
35	140-013	Bearing, brush end	1	386	2043418	Screw, 4-40 x 3/8	2	600	2043000	E-ring, .500	2				
40	880-027	Seal	2	387	2994071	Resistor, E-drive	1	605	2042614	Pin, pivot, upper	1				
45	725-097	Paper tube	1	388	2040605	Leadwire, prime power	1	606	9950825	Nut, steering, hex	1				
50	188-096	Brush	2	389	2052512	Cable clamp, 1/2	1	607	2042000	steering tube	1				
60	2-600-210	Brush plate assembly	1	390	9954533	Screw, 1/4-20 x 3/4 SHCS	2	610	2041981	Bracket, machined	1				
65	975-041	Brush spring	2	391	2053415	Screw, 8-32 x 3/8	1	615	2042612	Pin, lower, actuator	1				
70	701-044	O-ring, motor	2	392	9950433	Tie wrap	4	620	2263006	E-ring 5/16	4				
80	701-009	O-ring, thru-bolt	2	393	2041401	Cable, throttle control board	1	625	2992802	Actuator assy w/ terminals	1				
85	2053410	Screw, 8-32	2	395	9950357	Lockwasher, 1/4	2	626	2053415	Screw, 8-32 x 3/8	2				
90	830-096	Thru-bolt	2	400	2042911	Stand-off	1	627	2040720	Clamp, cable 1/4	2				
135	640-030	Leadwire, black	1	402	2046510	Extrusion, main, E-drive	1	630	2047302	Bearing, flange	4				
136	640-130	Leadwire, red	1	405	2040200	Cap-bottom, E-drive	1	635	2770801	Link, upper, right side	1				
200	2042011	Tube, Motor	1	410	2053413	Screw 10-16 x 1 type AB	8	640	2043420	Screw, 5/16-18 x 3/4	3				
210	2056700	Pointer	1	420	2266115	Bearing cone	1	645	2042610	Pin, upper, actuator	1				
215	2263447	Screw, #8	1	425	2041700	Washer 1 3/16 x 1 3/4	1	650	2042618	Pin, latch, breakaway	1				
220	2371715	Lockwasher, #8	1	430	2261622	Collar half, alum	2	■	2774305	Arm assy [655, 630(2)]	1				
225	2050110	Pointer knob	1	431	2263453	Screw, 1/4-20 x 1 SHCS	2	655	2044301	Arm- actuator, machined	1				
230	2045600	Decal, top	1	■	2770216	Throttle assembly [435-512]	1	660	2263006	E-ring, 5/16	4				
235	2050210	Shroud	1	435	2040215	Throttle cover	1	670	2770802	Link, upper, left side	1				
240	2045610	Decal, side	1	440	2044025	Switch, key	1	675	2042722	Spring, extension	1				
245	2041910	Bracket, indicator	1	445	2044020	Switch, tilt	1	680	2042624 2042624	Pin, stabilizer	1				
250	2043416	Screw, 1/4-28 BHCS	2	451	2042705	Spring knob	1	685	2047320	Bushing, tilt arm	1				
255	9950357	Lockwasher, 1/4	2	452	2042200	Gear, potentiometer	1	690	2043428	Screw, 5/16-18 x 1 1/2	1				
■	2774211	Drag link assy	1	453	2041506	Spacer	1	695	2774309	Arm, stabilizer [695-696]	1				
260	2383104	Nut, 3/8-24 nylock	1	455	2043110	Nut, speed	1	696	2045630	Warning Decal	1				
262	9909003	Lockwasher, 3/8	1	456	2047315	Bearing, nyliner	1	700	9954533	Screw, 1/4-20 x 3/4 SHCS	4				
265	2383515	Quick disconnect	1	460	2041915	Base, throttle	1	705	2041940	Plate, latch, breakaway	1				
270	2263105	Nut, 3/8-24	1	465	2041402	Cable, throttle (17')	1	710	2042616	Pin, upper, breakaway	1				
275	2044211	Drag link	1	470	2041930	Bracket, mounting	1	715	9950357	Lockwasher 1/4	4				
277	990-067	Washer, thrust	1	475	2332101	Screw, #8-32	4	720	2042715	Spring, breakaway	1				
278	2263105	Nut, 3/8-24	1	480	2044011	LCD/Cable assy [465]	1	725	2047200	Latch, breakaway	1				
285	2263453	Bolt 1/4-20 x 1	1	485	2302100	Screw, #6	2	735	2041500	Shim washer, breakaway	1				
295	2044200	Arm, steering	1	490	2042701	Spring, handle	1	740	2041810	Extrusion, breakaway	1				
300	9950339	Cap, motor fitting	1	500	2880900	Throttle handle w/ decal	1	745	2043504	Bolt, shoulder 1/4-20 x 1 1/4	1				
310	2382900	Grommet, split	1	510	2043408	Screw, #8	2	750	299-8200	Circuit breaker assy	1				
315	2046201	Bearing race, main E-drive	1	511	2303112	Nut, #8-32	4	755	234-0610	Connector cable	2				
325	2042620	Pin, spring	1	512	2043412	Screw, #8-18	4								
330	2266000	Beaing, steel ball	1	550	2044030	Tilt gauge	1	■	1378140	Propeller kit	1				
335	2042905	Grommet	1	■	2778407	Tilt send assy w/o gauge [555-598]	1	1010	2352602	Drive pin	1				
340	2040207	Cap-top	1	555	2998405	Potentiometer assy	1	1015	2091701	Washer, prop	1				
345	2372100	Screw, 8-18 x 5/8	5	560	2041937	Tilt bracket	1	1020	2198401	Nut, nylock, prop, Anode	1				
350	2040700	Contactork	1	565	2043402	Screw, #4	1	1025	2374611	O-ring, prop	1				
355	2261718	Washer, lock - #10	2	568	2013110	Nut, #10-24	1								

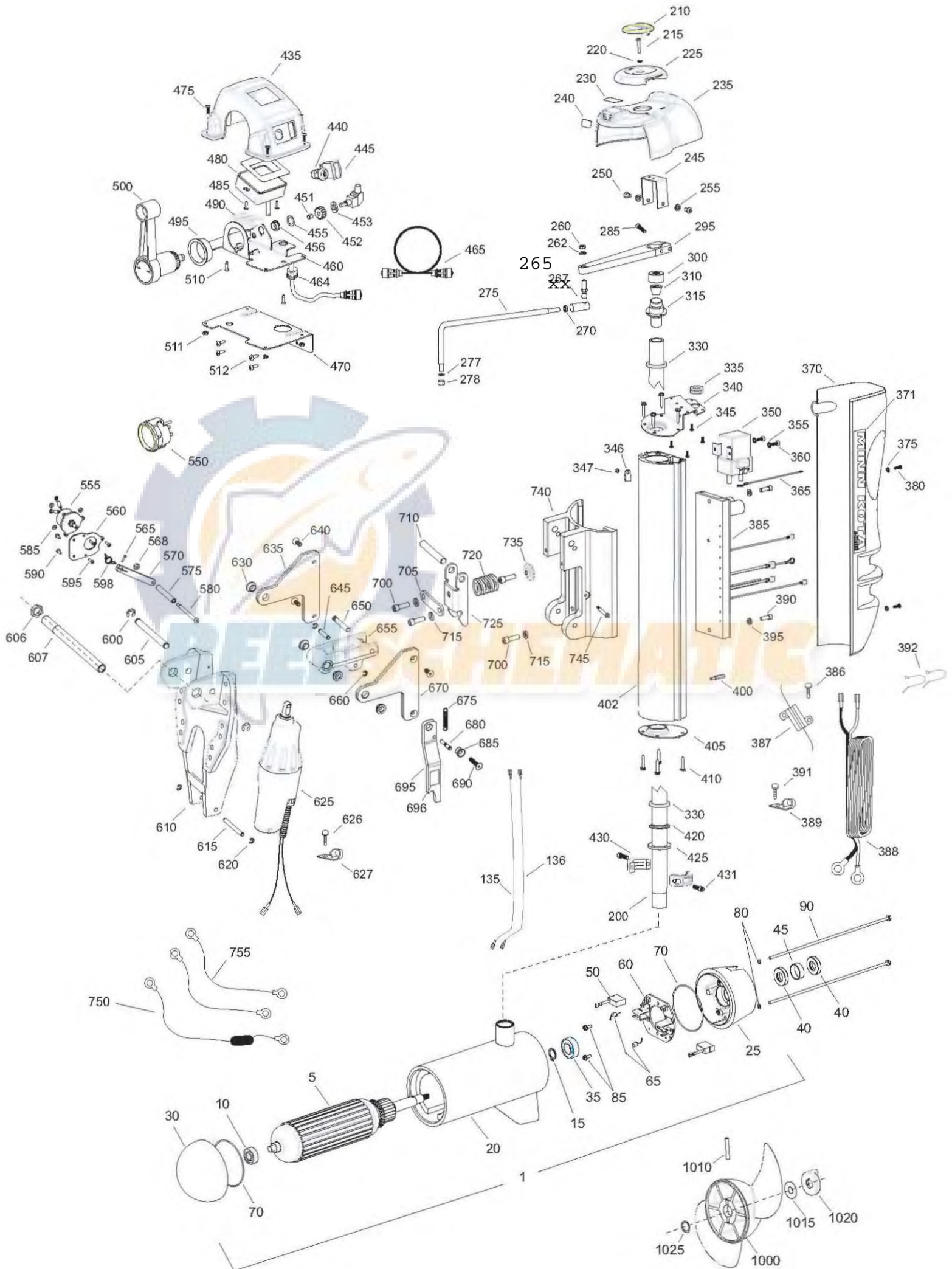
48 VOLT WIRING



E-Drive Remote Steer

for use with 2008 models with serial numbers greater than MKAI4018039

2-year warranty from the date of purchase



Item	P/N	Description	Qty	Item	P/N	Description	Qty	Item	P/N	Description	Qty
1	2357000	Motor Assembly	1	360	2223454	Screw, 10-32 x 1/2	2	575	2042005	Roller tube	1
5	2-100-210	Armature assembly	1	365	2040600	Wire, connecting 10 ga red	1	580	2043500	Shoulder bolt	1
10	140-011	Bearing, plain end	1	370	2050220	Shield, extrusion, vantage	2	585	2043112	Nut, #6	3
15	788-075	Retaining ring	1	371	2045611	Decal, shield, E-drive	1	590	2053415	Screw #8	2
20	2-200-220	Center housing assembly	1	375	2371715	Lockwasher, #8	2	595	2043400	Screw #6	3
25	2-300-210	Brush end housing assembly	1	380	2332101	Screw, 8-32 x 1/2	2	598	2042711	Torsion spring	1
30	421-310	Plain end housing assembly	1	385	2044007	Control Board, E-drive	1	600	2043000	E-ring, .500	2
35	140-013	Bearing, brush end	1	386	2043418	Screw, 4-40 x 3/8	2	605	2042614	Pin, pivot, upper	1
40	880-027	Seal	2	387	2994071	Resistor, E-drive	1	606	9950825	Nut, steering, hex	1
45	725-097	Paper tube	1	388	2040605	Leadwire, prime power	1	607	2042000	steering tube	1
50	188-096	Brush	2	389	2052512	Cable clamp, 1/2	1	610	2041981	Bracket, machined	1
60	2-600-210	Brush plate assembly	1	390	9954533	Screw, 1/4-20 x 3/4 SHCS	2	615	2042612	Pin, lower, actuator	1
65	975-041	Brush spring	2	391	2053415	Screw, 8-32 x 3/8	1	620	2263006	E-ring 5/16	4
70	701-044	O-ring, motor	2	392	9950433	Tie wrap	4	625	2992802	Actuator assy w/ terminals	1
80	701-009	O-ring, thru-bolt	2	395	9950357	Lockwasher, 1/4	2	626	2053415	Screw, 8-32 x 3/8	2
85	2053410	Screw, 8-32	2	400	2042911	Stand-off	1	627	2040720	Clamp, cable 1/4	2
90	830-096	Thru-bolt	2	402	2046510	Extrusion, main, E-drive	1	630	2047302	Bearing, flange	4
135	640-030	Leadwire, black	1	405	2040200	Cap-bottom, E-drive	1	635	2770801	Link, upper, right side	1
136	640-130	Leadwire, red	1	410	2053413	Screw 10-16 x 1 type AB	8	640	2043420	Screw, 5/16-18 x 3/4	3
200	2042011	Tube, Motor	1	420	2266115	Bearing cone	1	645	2042610	Pin, upper, actuator	1
210	2056700	Pointer	1	425	2041700	Washer 1 3/16 x 1 3/4	1	650	2042618	Pin, latch, breakaway	1
215	2263447	Screw, #8	1	430	2261622	Collar half, alum	2	■	2774305	Arm assy [655, 630(2)]	1
220	2371715	Lockwasher, #8	1	431	2263453	Screw, 1/4-20 x 1 SHCS	2	655	2044301	Arm- actuator, machined	1
225	2050110	Pointer knob	1	■	2770217	Throttle assembly [435-512]	1	660	2263006	E-ring, 5/16	4
230	2045600	Decal, top	1	435	2040215	Throttle cover	1	670	2770802	Link, upper, left side	1
235	2050210	Shroud	1	440	2044025	Switch, key	1	675	2042722	Spring, extension	1
240	2045610	Decal, side	1	445	2044020	Switch, tilt	1	680	2042624	Pin, stabilizer	1
245	2041910	Bracket, indicator	1	451	2042705	Spring knob	1	685	2047320	Bushing, tilt arm	1
250	2043416	Screw, 1/4-28 BHCS	2	452	2042200	Gear, potentiometer	1	690	2043428	Screw, 5/16-18 x 1 1/2	1
255	9950357	Lockwasher, 1/4	2	455	2043110	Nut, speed	1	695	2774309	Arm, stabilizer [695-696]	1
■	2774211	Drag link assy	1	456	2047315	Bearing, nyliner	1	696	2045630	Warning Decal	1
260	2383104	Nut, 3/8-24 nylock	1	460	2041915	Base, throttle	1	700	9954533	Screw, 1/4-20 x 3/4 SHCS	4
262	9909003	Lockwasher, 3/8	1	464	2042900	Strain relief	1	705	2041940	Plate, latch, breakaway	1
265	2383515	Quick disconnect	1	465	2047412	Cable, throttle	1	710	2042616	Pin, upper, breakaway	1
270	2263105	Nut, 3/8-24	1	470	2041930	Bracket, mounting	1	715	9950357	Lockwasher 1/4	4
275	2044211	Drag link	1	475	2332101	Screw, #8-32	4	720	2042715	Spring, breakaway	1
277	990-067	Washer, thrust	1	480	2044014	LCD/Cable assy [465]	1	725	2047200	Latch, breakaway	1
278	2263105	Nut, 3/8-24	1	485	2302100	Screw, #6	2	735	2041500	Shim washer, breakaway	1
285	2263453	Bolt 1/4-20 x 1	1	490	2042701	Spring, handle	1	740	2041810	Extrusion, breakaway	1
295	2044200	Arm, steering	1	500	2880900	Throttle handle w/ decal	1	745	2043504	Bolt, shoulder 1/4-20 x 1 1/4	1
300	9950339	Cap, motor fitting	1	510	2043408	Screw, #8	2	750	2998200	Circuit breaker assy	1
310	2382900	Grommet, split	1	511	2303112	Nut, #8-32	4	755	2340610	connector cable	2
315	2046201	Bearing race, main E-drive	1	512	2043412	Screw, #8-18	4				
325	2042620	Pin, spring	1	550	2044030	Tilt gauge	1	■	1378140	Propeller kit	1
330	2266000	Beaing, steel ball	1	■	2778407	Tilt send assy w/o gauge [555-598]	1	1010	2352602	Drive pin	1
335	2042905	Grommet	1	555	2998405	Potentiometer assy	1	1015	2091701	Washer, prop	1
340	2040207	Cap-top	1	560	2041937	Tilt bracket	1	1020	2198401	Nut, nylock, prop, Anode	1
345	2372100	Screw, 8-18 x 5/8	5	565	2043402	Screw, #4	1	1025	2374611	O-ring, prop	1
350	2040700	Contacto	1	568	2013110	Nut, #10-24	1				
355	2261718	Washer, lock - #10	2	570	2044221	Tilt sender arm	1			2884460 seal & oring kit	

* This item is part of an assembly. This item cannot be sold separately due to machining and /or assembly that is required. P/N 2047102

48 VOLT WIRING

